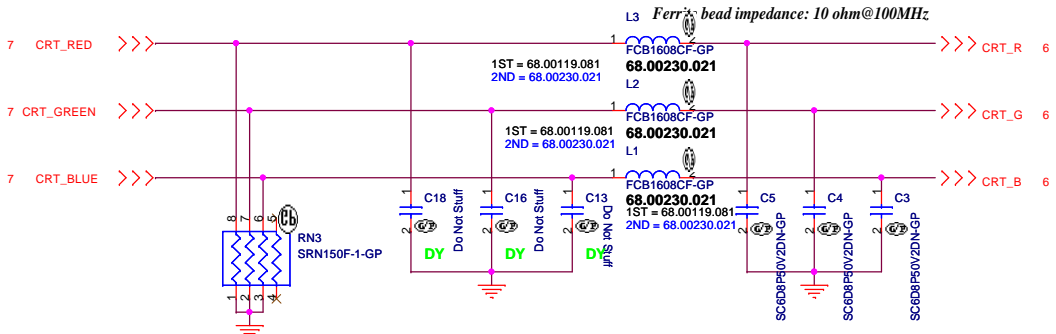


DIS CRT

<b>緯創資通</b> <b>Wistron Corporation</b> 21F, 88, Sec.1, Hsin Tai Wu Rd., Hsichih, Taipei Hsien 221, Taiwan, R.O.C.	
<b>USB CONN</b>	
Size	Document Number
<b>JM51 DIS CRT BD</b>	
Date: Tuesday, March 10, 2009	Sheet 1 of 8

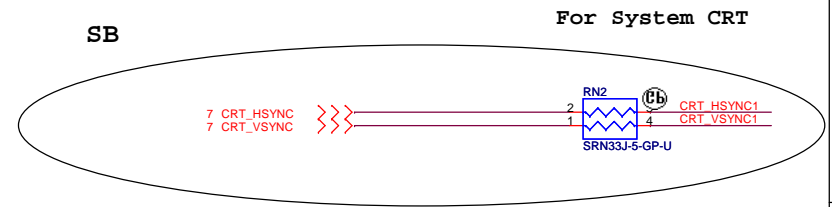
Rev SA

Layout Note:  
Place these resistors  
close to the CRT-out  
connector

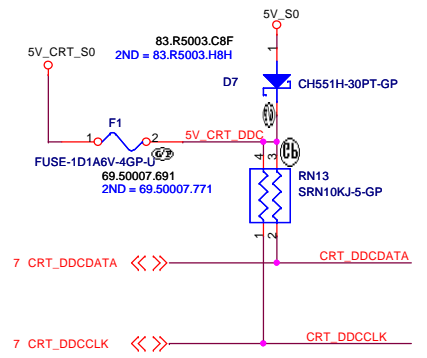


**Layout Note:**  
\* Must be a ground return path between this ground and the ground on the VGA connector.  
Pi-filter & 150 Ohm pull-down resistors should be as close as to CRT CONN. RGB will hit 75 Ohm first, pi-filter, then CRT CONN.

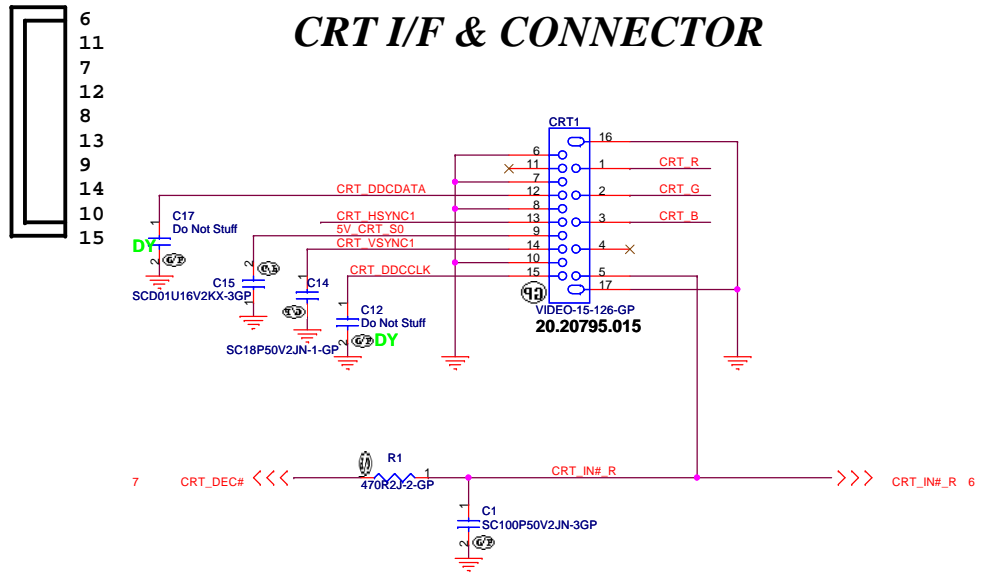
### Hsync & Vsync level shift



### DDC\_CLK & DATA level shift



## CRT I/F & CONNECTOR



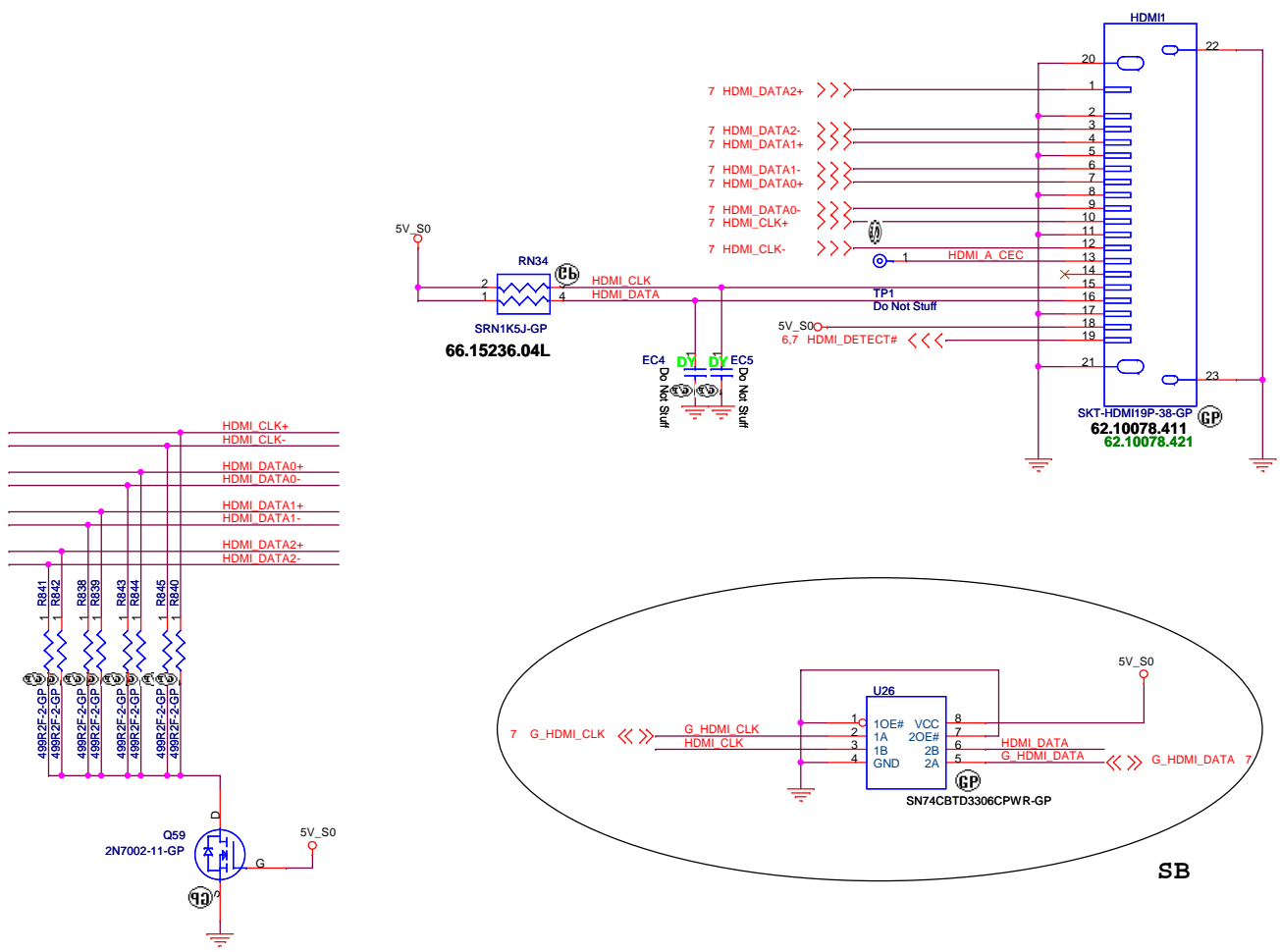
DIS CRT

**緯創資通 Wistron Corporation**  
21F, 88, Sec.1, Hsin Tai Wu Rd., Hsichih,  
Taipei Hsien 221, Taiwan, R.O.C.

Title: **CRT CONN**

Size	Document Number	Rev
	<b>JM51 DIS CRT BD</b>	SA

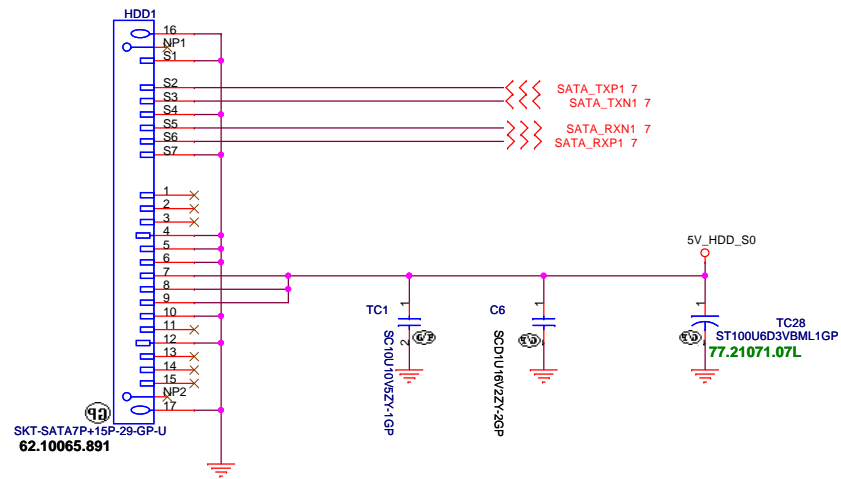
Date: Tuesday, March 10, 2009 Sheet 2 of 8



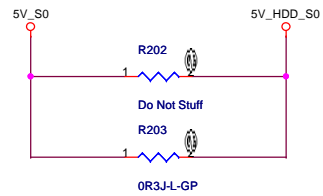
DIS CRT

 <b>Wistron Corporation</b> 21F, 88, Sec.1, Hsin Tai Wu Rd., Hsichih, Taipei Hsien 221, Taiwan, R.O.C.	
<b>HDMI CONN</b>	
<b>JM51 DIS CRT BD</b>	
Size	Document Number
Date: Tuesday, March 10, 2009	Sheet 3 of 8
Rev	SA

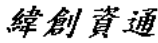
# SATA Connector



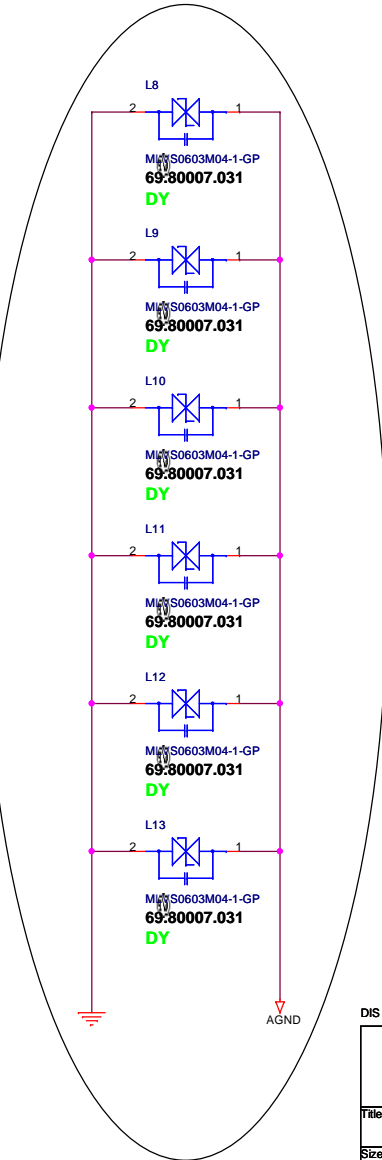
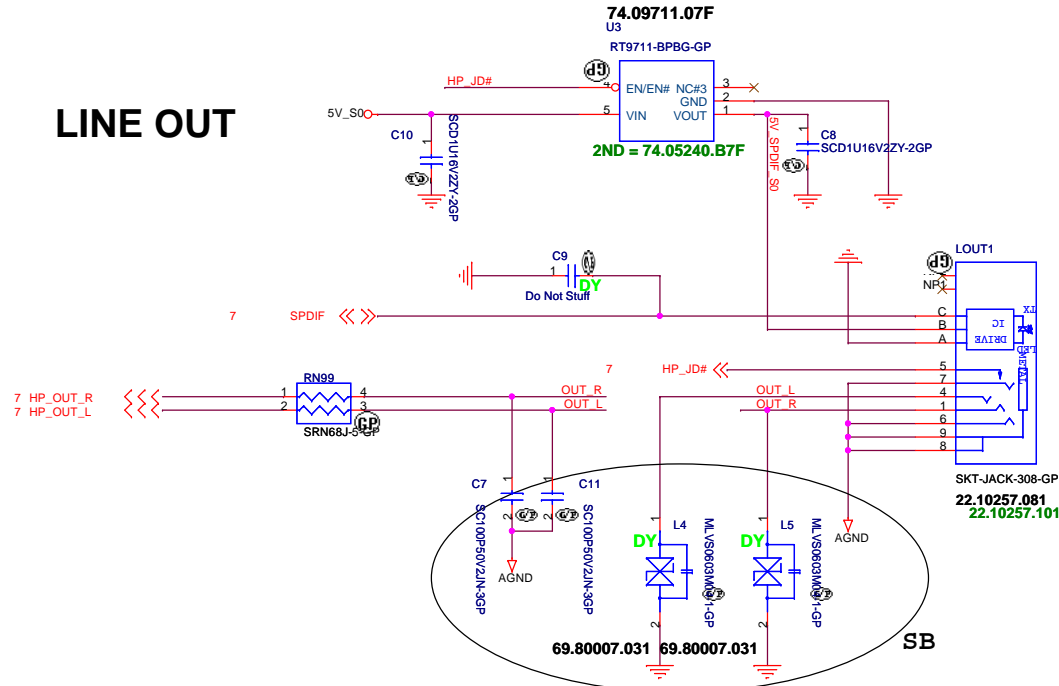
# HDD Power



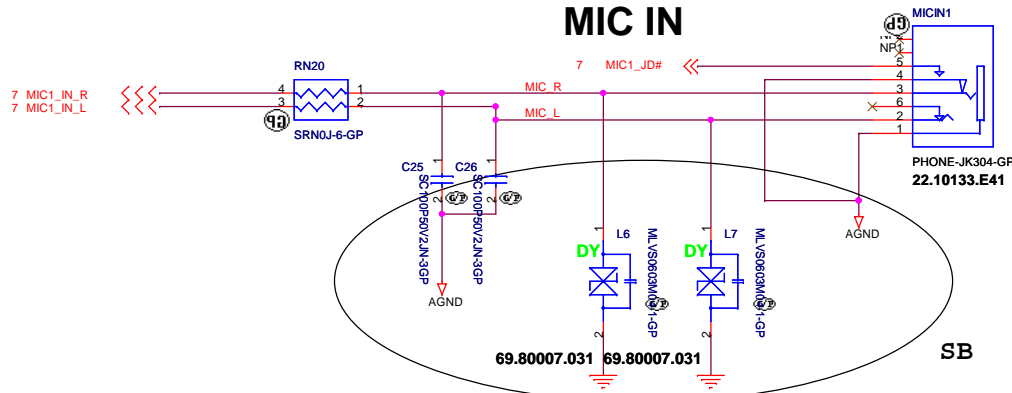
DIS CRT

 <b>Wistron Corporation</b> 21F, 88, Sec.1, Hsin Tai Wu Rd., Hsichih, Taipei Hsien 221, Taiwan, R.O.C.	
Title	
<b>HDD CONN</b>	
Size	Document Number
	<b>JM51_DIS_CRT_BD</b>
Date: Tuesday, March 10, 2009	Rev SA
Sheet 4	of 8

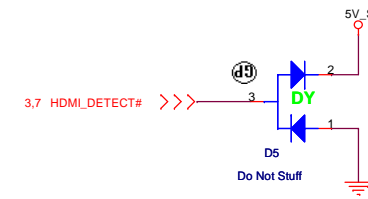
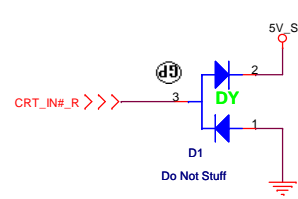
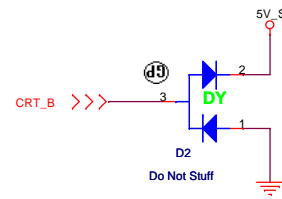
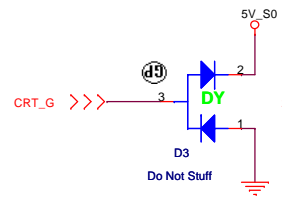
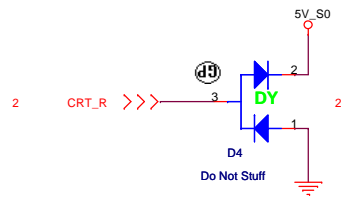
# LINE OUT



# MIC IN

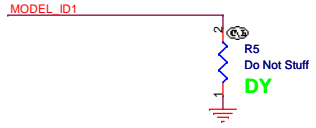
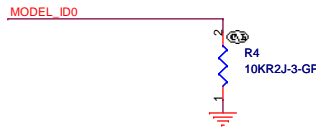
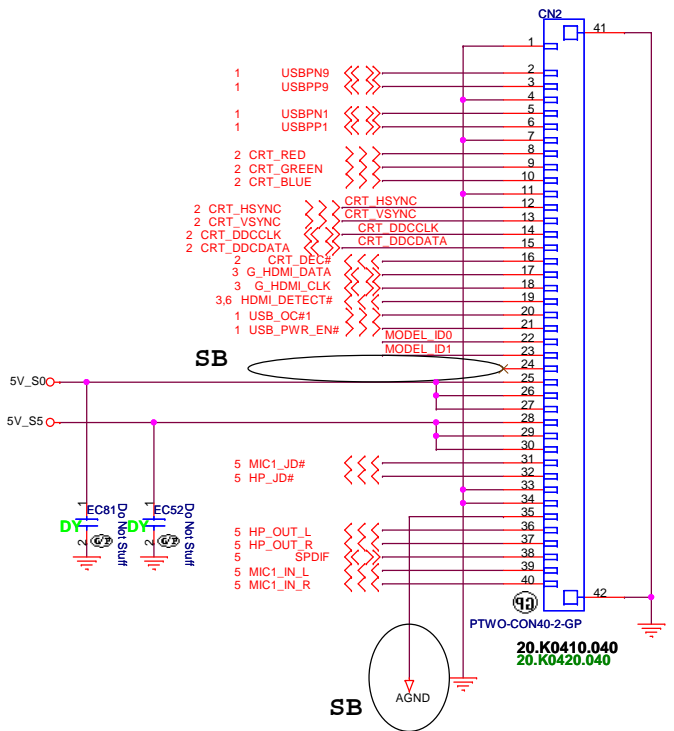


DIS CRT		<b>緯創資通</b> <b>Wistron Corporation</b> 21F, 88, Sec.1, Hsin Tai Wu Rd., Hsichih, Taipei Hsien 221, Taiwan, R.O.C.	
Title <b>AUDIO JACK</b>			
Size	Document Number	Rev	SA
Date: Tuesday, March 10, 2009		Sheet 5 of 8	



DIS CRT

		<b>Wistron Corporation</b> 21F, 88, Sec.1, Hsin Tai Wu Rd., Hsichih, Taipei Hsien 221, Taiwan, R.O.C.	
Title			
<b>UNUSED LOGIC GATE</b>			
Size	Document Number	Rev	SA
<b>JM51 DIS CRT BD</b>			
Date: Tuesday, March 10, 2009		Sheet 6	of 8



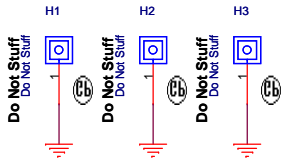
DIS CRT

**緯創資通 Wistron Corporation**  
21F, 88, Sec.1, Hsin Tai Wu Rd., Hsichih, Taipei Hsien 221, Taiwan, R.O.C.

Title: **CRT BD CONN**

Size	Document Number	Rev
	<b>JM51 DIS CRT BD</b>	SA

Date: Tuesday, March 10, 2009 Sheet 7 of 8



DIS CRT

<b>緯創資通</b> <b>Wistron Corporation</b> 21F, 88, Sec.1, Hsin Tai Wu Rd., Hsichih, Taipei Hsien 221, Taiwan, R.O.C.	
<b>EMI/Spring/Boss</b>	
Size	Document Number
<b>JM51 DIS CRT BD</b>	
Date: Tuesday, March 10, 2009	Sheet 8 of 8
Rev	SA